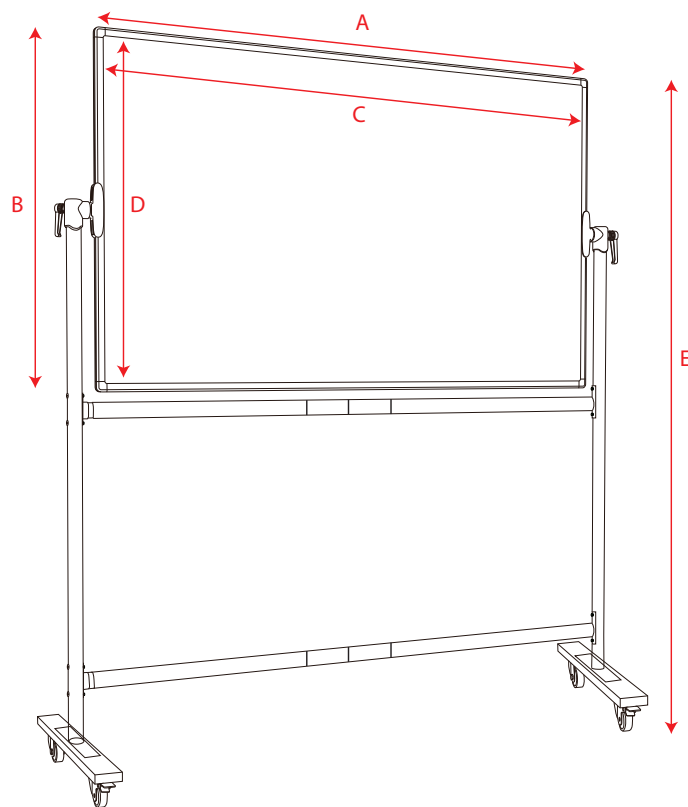


Tablica obrotowo-jezdna TELESCOPIC ceramiczna

Rotated and mobile board TELESCOPIC

Mobile Tafeln TELESCOPIC

Поворотно-мобильная доска TELESCOPIC



A
(mm)

B
(mm)

C
(mm)

D
(mm)

E
(mm)



TEEOJ129TP

1200

900

1180

880

1750

2



TEEOJ1510TP

1500

1000

1480

980

1820

2



TEEOJ1812TP

1800

1200

1780

1180

1920

2



TEEOJ2010TP

2000

1000

1980

980

1920

2

